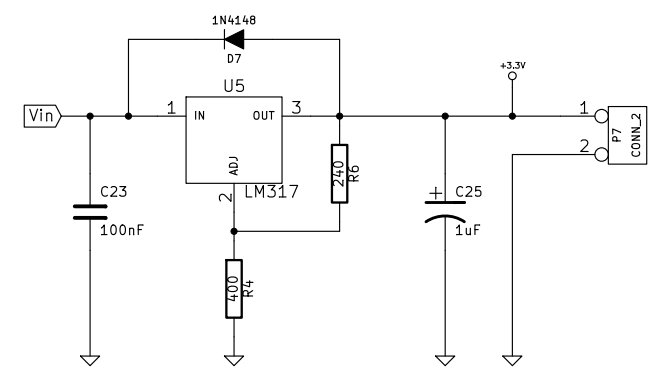
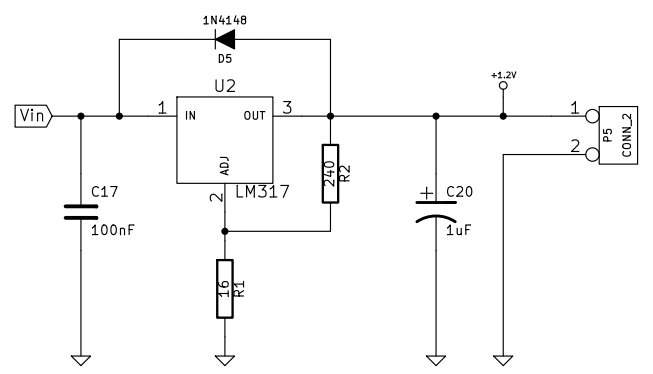
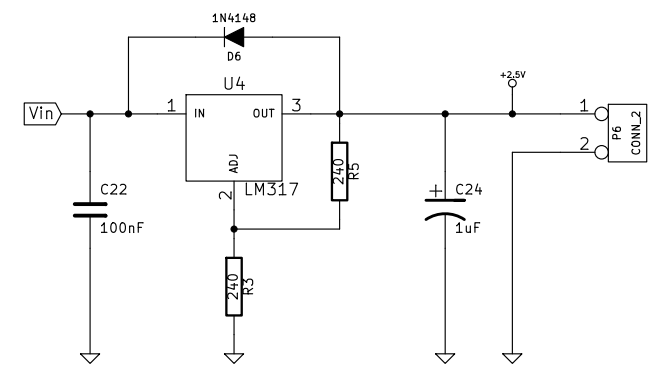
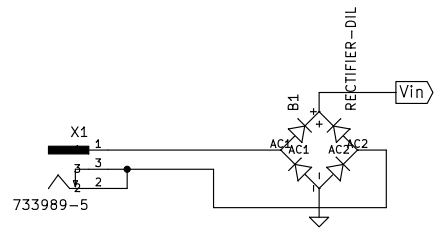


Sheet: Spannungsregler

File: spannungsregler.sch

File:	
Sheet: /	
Title:	
Size: A4	Date: 30 dec 2009
KiCad E.D.A.	eeschema (2013-mar-25)-stable
Rev:	
Id: 1/2	



File:	
Sheet: /Spannungsregler/	
Title:	
Size: A4	Date: 30 dec 2009
KiCad E.D.A. eschema (2013-mar-25)-stable	
Rev:	
Id: 2/2	